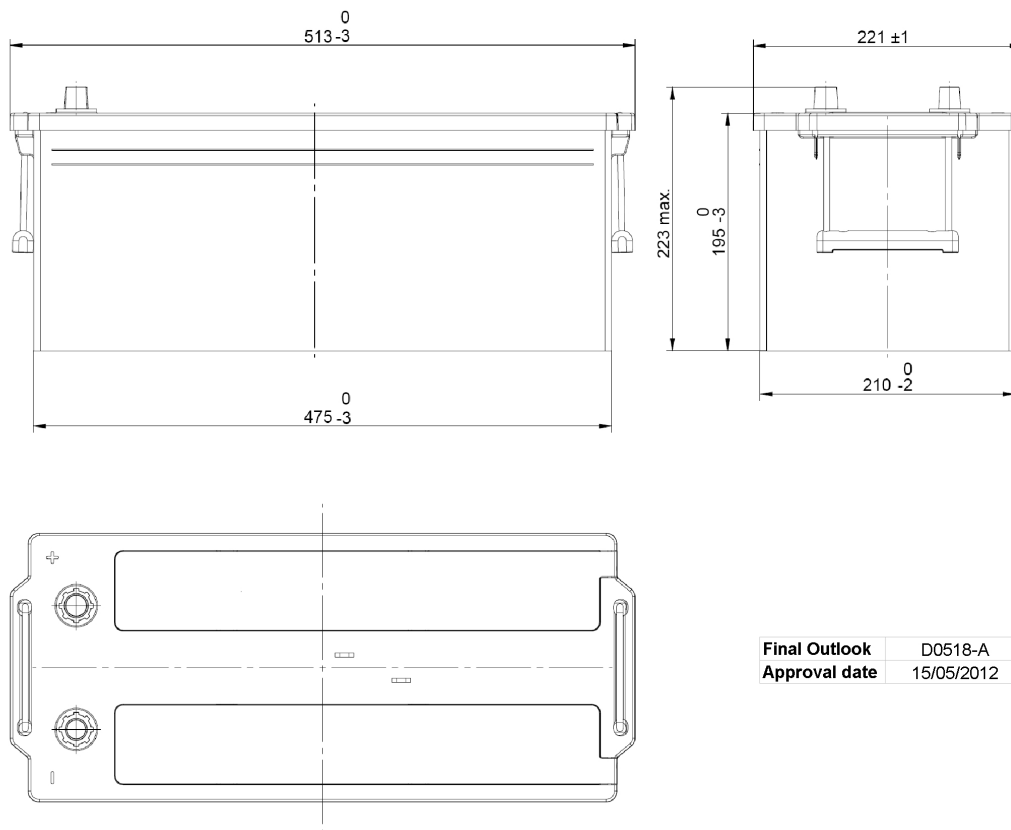


Central Article Code: D05110C18-A

Created: 16/05/2012

ETN Code or Other:

Modified: 26/02/2015



PERFORMANCES

Voltage (V):	12 V	
C20 (Ah):	185.0	20 h
Rc (min):	0	
Cranking (A):	1100	EN
Vibration:	V3+ (35Hz/6g/60h)	
Endurance:	E4 (216 cycles@50%)	
Charge:	WET	
Technology:	Vented/Flooded	
Grid:	Ca/Ca	

WEIGHT AND STD. DIMENSIONS

Battery Weight (kg ± 5%):	47.1
Volume acid (l ± 5%):	9.8
Length (mm ± 2):	513
Width (mm ± 2):	223
Height (mm ± 2):	223

All figures show nominal values. Tolerances are according to EN50342 and applicable European Regulations.

CONTAINER

Type:	D05	GREY MEDIUM
Hold Down:	B0	
H.D. Adapter:	No	

COVER

Type:	Flat/Press	GREY MEDIUM
Polarity:	ETN 3	
Terminals:	EN taper post	
Terminal Adapter:	No	
SOCI:	No	
Ventilation:	Central	
Filter:	1 Filter per Vent	
Lateral Plug:	No	

PLUGS

Type:	2 x VCL Vent	GREY MEDIUM
-------	--------------	-------------

HANDLES

Type:	2 x Rope (Rigid holder BLACK)
-------	-------------------------------

OTHERS

Degassing Tube:	No
-----------------	----